

# TRAFFIDECK®

Creative Parking Solution



[www.floorkrete.com](http://www.floorkrete.com)

**Multichem**   
Creating long lasting solutions

## ABOUT MULTICHEM GROUP

Multichem Group came into existence in 1<sup>st</sup> May 1993, in Mumbai, India with major interest in construction chemicals. Since then Multichem Group has grown with 4 dedicated manufacturing sites, 5 regional offices and a network of more than 3200 dealers by year 2017. Multichem has built a solid reputation based on in-house research and development, manufacturing and distribution of more than 600 innovative products for use in construction industries (industrial and domestic use).

The Multichem family of products represents the accomplishment of a dedicated team of technical and business professionals, constantly striving to set new industry standards for services, quality and technical excellence.

## MISSION STATEMENT

"We are dedicated to the development of customer's loyalty by setting industry standards for services, quality and technical excellence through in-house research and development. Our goals are achieved by working in partnership with our suppliers, employees, customers, dealers, consultants and financial institutions to provide sustainable financial performance with unequalled reputations of trust, reliability and fairness based on environmentally safe solutions."

## PRODUCTS BY MULTICHEM





# UNDER THE SUN

An open parking deck which is in direct contact with sun rays, demands a coating layer which has a capacity to withstand UV radiations & thermal movements.

**Traffideck® ED** is a thick coating system with multi layer built up which provides not only the protection against UV radiations & thermal movements but also the resistance against oil & acids.

## BENEFITS OFFERED :

**Resistance :** Excellent resistance to UV radiations, chemicals, oils, abrasion, slip & fire.

**Strength :** Water tight & quality assured, very high mechanical strength, non dusting & cleanable.

**Outstanding Properties :** Good crack bridging ability even at low temperature, forms jointless flooring car parking deck, solvent free, long lasting & hard wearing.

## STANDARD COLOURS

Dark Grey

Mid Grey

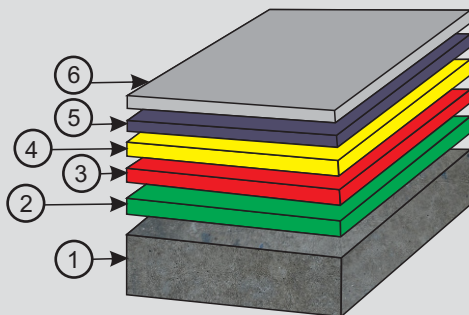
Forest Green

Traffic Blue

Traffic Purple

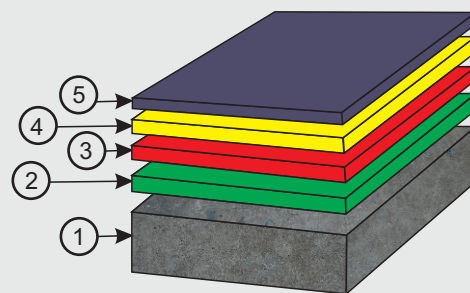
Tile Red

### Traffideck® ED



- 1) Prepared Surface
- 2) Traffideck ED Primer (eg. floorprime PU)
- 3) Traffideck ED Membrane (for water proofing)
- 4) Traffideck ED Body Coat (PU based coating)
- 5) Traffideck ED Oxide (quartz 1.2 - 1.8 mm)
- 6) Traffideck ED Top Coat ( UV resistance )

### Traffideck® ED Rapid



- 1) Prepared Surface
- 2) Traffideck ED Rapid Primer
- 3) Traffideck ED Rapid Membrane
- 4) Traffideck ED Rapid Body Coat
- 5) Traffideck ED Rapid Top Coat

## TECHNICAL DETAILS:

- Temperature resistance : Softens over 70°C & Hardens on cooling.
- Impact Resistance :  $\geq 10\text{Nm}$
- Adhesion by pull off test :  $\geq 1.5\text{N/mm}^2$
- Capillary absorption & permeability to water :  $w < 0.1 \text{ kg/m}^2 \times \text{h}^{0.5}$





## UNDER THE SHADOW

**Traffideck® ID** provides some beautiful coats for the area like internal deck which lies under the shadow. Our coating provides reliable & long lasting protection against an ingress of water & potentially entrained pollutant. Light reflective coatings are available for walls for brighter car park, reducing need for additional lighting installation.

### BENEFITS OFFERED :

**Resistance :** Excellent resistance to chemicals, fire, slip, oil & water.

**Strength :** Minimises unwanted noise from tyre sequel, non dusting, easily cleanable & solvent free.

**Outstanding Properties :** Brightens up an internal car parking deck, forms jointless flooring with hard wearing.

### STANDARD COLOURS

Dark Grey

Mid Grey

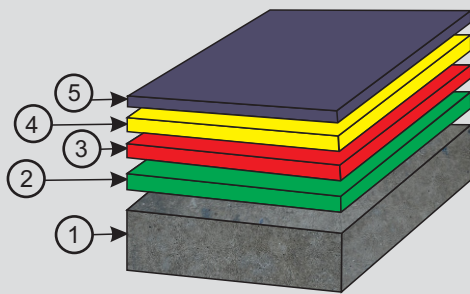
Forest Green

Traffic Blue

Traffic Purple

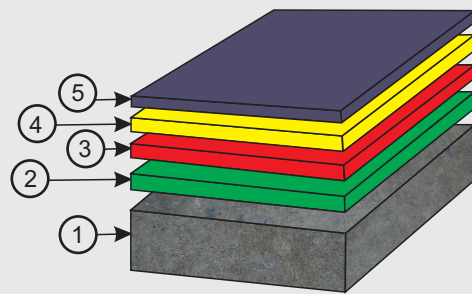
Tile Red

### Traffideck® ID



- 1) Prepared Surface
- 2) Traffideck ID Primer
- 3) Traffideck ID Quartz
- 4) Traffideck ID Finish/Resurface
- 5) Traffideck ID Expo (WB)/UV

### Traffideck® ID Rapid



- 1) Prepared Surface
- 2) Traffideck ID Rapid Primer
- 3) Traffideck ID Quartz
- 4) Traffideck ID Rapid Bodycoat
- 5) Traffideck ID Rapid Topcoat

### TECHNICAL DETAILS:

- Temperature resistance : Softens over 70°C & Hardens on cooling.
- Impact Resistance :  $\geq 10\text{Nm}$
- Adhesion by pull off test :  $\geq 1.5\text{N/mm}^2$
- Slip/ Skid resistance :  $>40$  units both dry & wet tested.
- Speed of cure(per layer) : Walk on - 1hr, full traffic & chemical cure - 2 to 3 hrs (Traffideck® ID Rapid)



## YOUR UPS & DOWNS

When you go up & down on ramp, you need a good grip to prevent an accident resulting from skidding. We provide **Traffideck® RhinoStrong** coating which very specifically deals with these situations for safe & smooth movements of vehicle tyres on ramps.

### BENEFITS OFFERED :

**Resistance** : Excellent resistance to oil and fuel, good abrasion resistance, UV resistance, slip resistance, skidding resistance.

**Strength** : Water tightness, high mechanical strength, high tensile strength.

**Outstanding Properties** : Good crack bridging ability, excellent shear adhesiveness, flexibility.

**Traffideck solution for ramps:** **Traffideck® RhinoStrong Deckcoat Mortar Reglet**

### STANDARD COLOURS

Dark Grey

Mid Grey

Forest Green

Traffic Blue

Traffic Purple

Tile Red

### TECHNICAL DETAILS:

- Temperature resistance : Softens over 70°C & Hardens on cooling.
- Impact Resistance :  $\geq 10\text{Nm}$
- Adhesion by pull off test :  $\geq 1.5\text{N/mm}^2$



## YOUR TURNING POINTS

**Traffideck® RhinoStrong** provides a best solution for your turning circles in parking area. This area need to be designed against high abrasion resistance for safety & durability purpose. We take care of your turning points in parking through our coating system.

### BENEFITS OFFERED :

**Resistance** : Excellent resistance to abrasion, skidding, oil and fuel.

**Strength** : High tensile strength, high elastomeric capacity, hard wearing.

**Traffideck solution for turnings:** **Traffideck® RhinoStrong Deckcoat Mortar Reglet**

### STANDARD COLOURS

Dark Grey

Mid Grey

Forest Green

Traffic Blue

Traffic Purple

Tile Red

### TECHNICAL DETAILS:

- Temperature resistance : Softens over 70°C & Hardens on cooling.
- Impact Resistance :  $\geq 10\text{Nm}$
- Adhesion by pull off test :  $\geq 1.5\text{N/mm}^2$



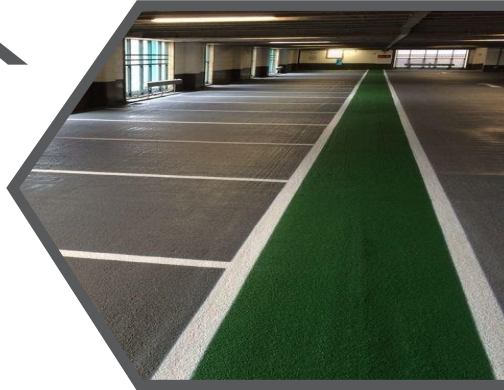
## YOUR WAY TO GET SETTLED

The line marking on parking deck highlights your way to get settled in parking area. It makes very clear that the cars should be parked in a particular direction and manner so that the driving area is hassle free & accommodates adequate number of cars. **Deckcoat line maker** provides line markers which are dark, thick & easily visible to your eye helping you to get settled.

### BENEFITS OFFERED :

- Fast curing
- Durable
- Dark & thick
- Bright colour

**Traffideck solution for line marking :**  
**Deckcoat line maker**



### STANDARD COLOURS

White

Yellow

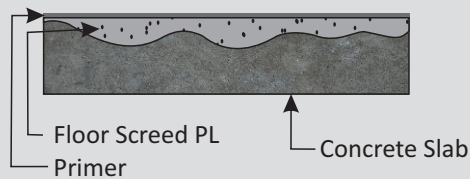
Red

## SURFACE PREPARATION

Surface preparation is a primary and extremely important part of car deck coating. We must ensure that the concrete foundation surface is dimensionally stable and free of dirt, dust, oil, laitance, paint, curing compound etc.

Before starting the Traffideck work, make sure that surface is levelled. Level the surface with FloorScreed PL for undulation up to 20mm. Use microconcrete Multicon otherwise.

### FloorScreed PL System (for undulation up to 20 mm)



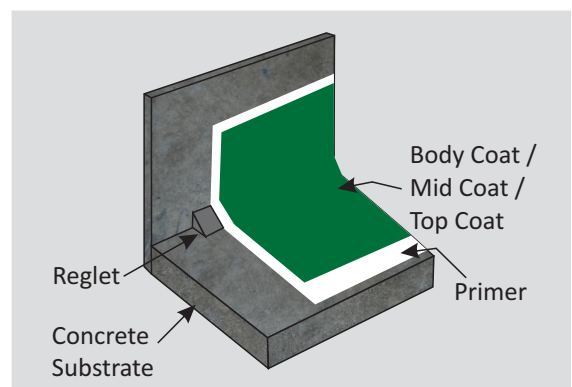
### (for undulation more than 20 mm) Microconcrete



## PREPARATION OF JOINTS BETWEEN FLOOR & WALL

As we take complete responsibility of protecting the parking deck, we have a special solution for the joints between floor & wall, such that the Traffideck system performs at its best.

We put a reglet at the joint between floor & wall, so that the coating runs smoothly over the wall.





### **Multichem Group**

**Off. No. 1, 1st Floor, Kirtida Bunglow, Beside SBI Bank,  
Nahur Station Road, Bhandup (E), Mumbai - 400 042.**

**Tel : 022-25669137 • Mob : 9323890195**

**Email : [info@multichemgroup.net](mailto:info@multichemgroup.net)**

**Web : [www.floorkrete.com](http://www.floorkrete.com) / [www.multichemgroup.net](http://www.multichemgroup.net)**